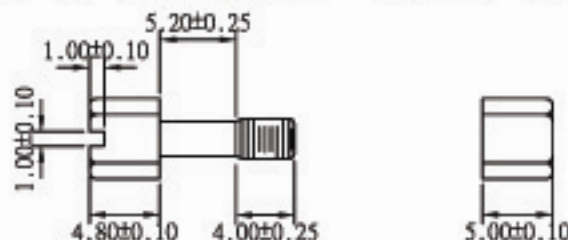
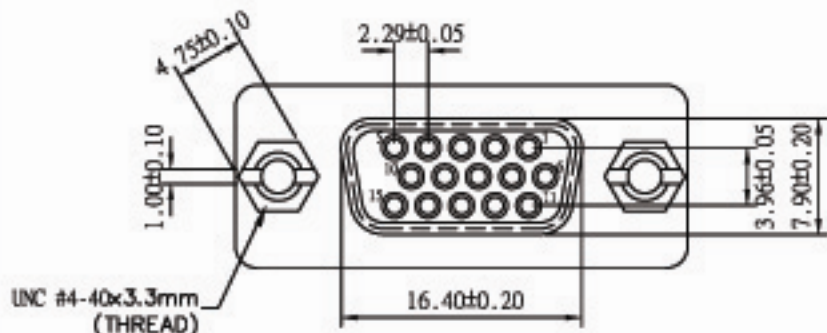


UNC #4-40 Hexscrew

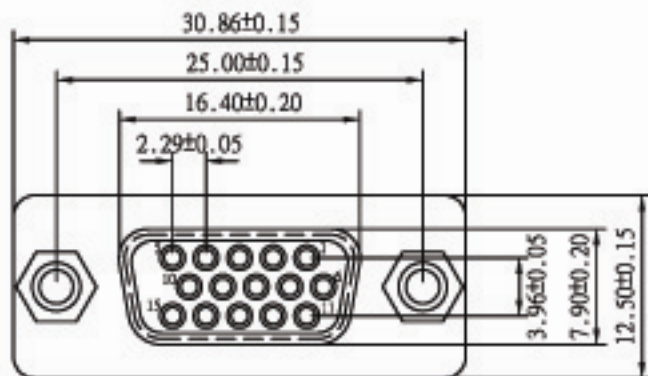
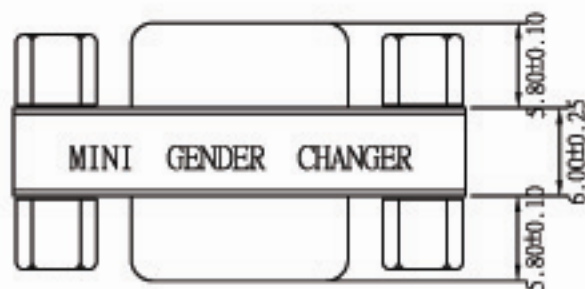
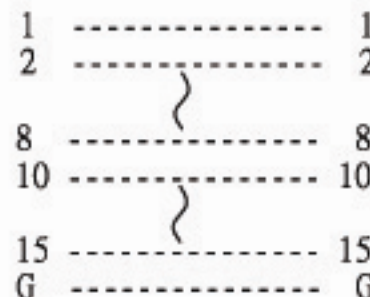
UNC #4-40 Hexnut



HGC 15 F/F GENDER CHANGER

PIN OUT: 15Female

15Female



Label: yellow color with black character

One side: MINI GENDER CHANGER

The other side: U.S.A. PATENT 5199906 GENDER CHANGER

SPECIFICATION

INSULATOR: PBT Glass fibre reinforced UL 94 V0

CONTACT: Brass

CONTACT PLATING: Gold plated over nickel

SHELL: Tin plated shell

CURRENT RATING: 3 AMP

DIELECTRIC STRENGTH: 1000V AC for one minute

INSULATOR RESISTANCE: 1000MΩ min at 500V DC

TEMPERATURE: -55°C—+105°C

Edition
A01

ASSMANN Electronics, Inc.

SCALE
2:1

UNLESS OTHERWISE SPECIFIED TOLERANCES:
0.0: 0.20
0.05: 0.13
0.00: 0.05

PART NO.

AB420-R

DWG NO.

TH0015-02

DATE

7/Dec-2001

1

修改貼紙(R.O.C. PATENT 64341 改稱MINI GENDER CHANGER)

2001/12/7

UNIT
mm

Page
1/1



DRAWN

Fu Hao

CHECKED

APPRD

Customer REVISION

DESCRIPTION

DATE